



MDB CREDIT CARD SYSTEMS SET-UP and INSTALLATION 8M00639 Rev 6

This document is for the set-up of MDB-compatible credit card systems including: Nayax VPOS, USA Technologies ePort, and CryptoPay.

NOTE: Standard Change-Makers does not supply any of these third-party credit card processing systems. Customer must contact the manufacturers direct to order the kits and set-up their merchant account with the required processor. It is therefore important that the customer contact Technical Support of the manufacturer when they have completed the installation of the machine to supply the serial numbers or their kit components and make sure that the devices are properly directed to deposit funds into their account.

When communicating with the Sales/Tech Support person – be sure that you tell them that you need the MDB-compatible devices. And that the MAXIMUM CHARGE AMOUNT must be set higher than your expected highest selection or charge amount (to accommodate for future price changes if needed).

For example: The manufacturer may a default maximum setting of \$25.00. If you plan to have a \$30 price package, you may request them to set the kit up for a \$50.00 maximum charge to allow for changes in the future.

STANDARD MACHINE SYSTEMS REQUIREMENTS:

- Modular Series Hopper Software Version 2.074 or higher
- EF Version 1.064 or higher (Tax Fee Amount corrected in EF+ Version 2.083)
- GXP Control Board Version 3.100 or higher
- SC-Conversion Controller Version 1.007 or higher

These third-party MDB Card Reader systems operate in the machine the same as the Datacap device system. The EF, EF+ or GXP Module is required in order to program the charge selection amount with the credit card transaction data.

If selection buttons are NOT on equipped on the Modular (MC) Series machine, you can equip the machine with one of the above third-party card processing systems, but you will be limited to one fixed transaction pay-out amount for all card transactions. You will also need to drill holes in the cabinet in order to attach the card reader kit.

NOTE: If selection buttons are not already on the machine – they cannot be added in the field.

All third-party MDB card systems are to be plugged into the MDB bus before the bill acceptor and coin acceptor panel for proper operation; or can be plugged into a separate hopper away from the bill and coin acceptors. Because bill & coin acceptors are usually connected to the Primary Hopper, you would plug the card reader's MDB plug into the MDB input on the Primary Hopper, and then plug the bill acceptor into the Secondary Hopper and the Coin Acceptor into the spare MDB connector on the Bill Acceptor's cable.

Setup:

For EF+ and GXP EF4 units under CREDIT SETTINGS a Card System option was added for MDB (only) this allows the system to report email alerts about the Card System. On older systems leave the Card System set to NONE. The Card System will show up in the CONFIGURATION REPORT as a CARD READER – x MDB with –x indicating the hopper it is plugged into, if we are able to talk to the device.

The owner will need to contact the manufacturer before going with live transactions to setup their banking and routing information. The manufacturer will also need to set the unit to MDB mode. Current software support is for MDB version 4.0. The owner will also need to set the maximum charge amount. The owner should have this set higher than their highest selection price to allow for price changes.

Installation:

There are mounting kits for some machines available. Installation may require the owner drilling mounting holes in the stainless fronts and to allow the antenna cable or ethernet cable into the cabinet. If using the cellular connection, the antenna should be mounted on the outside of the cabinet for proper operation. Both manufacturers sell different antenna options (magnetic, hard mount, high gain).

The MDB card readers operate in the system the same as the Datacap card system and an EF module is required to program the charge selection amount. The EF units can be operated without selection buttons by setting up a single select amount will allow for a fixed charge amount for a card swipe.

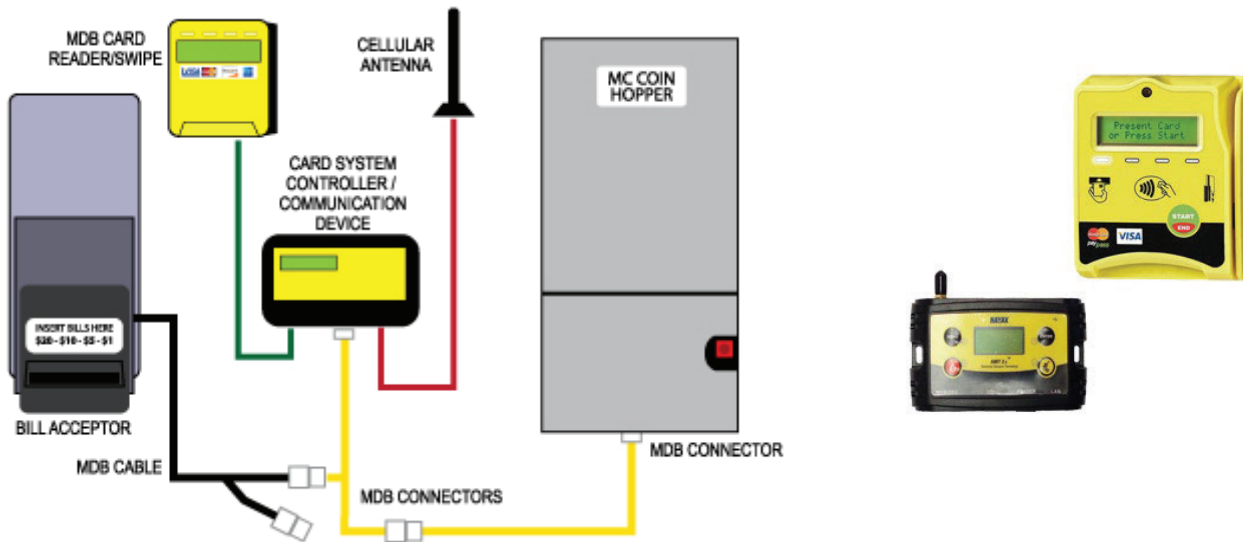
The MDB card systems are plugged into the MDB bus before the bill validator and coin panel for proper operation or can be plugged into a separate hopper away from the bill and coin acceptors.

Important Note:

It is recommended that the owner have the credit card system sent to the Standard Change Maker factory for testing and installation.

Nayax AMIT Telemeter and VPOS Reader

(THIS UNIT IS OBSOLETE BECAUSE IT MAXES OUT AT 4G)



Connections

Shown with cellular connection but also supports Ethernet and internet router. Can do EMV/Chip/tap and swipe technology. Power lost and power return text and email can be sent.

NAYAX – FRONT LOAD CHANGER KIT: Part #4K01426-FI

NAYAX – REAR LOAD CHANGER KIT: Part #4K01463-FI

NAYAX – GXP KIT: Part #4K01346-FI

MANUFACTURER CONTACT INFORMATION:

VPOS Series Reader

Nayax USA

Executive Plaza 1

11350 McCormick Road

Hunt Valley, MD 21301

PH: 410-666-3800

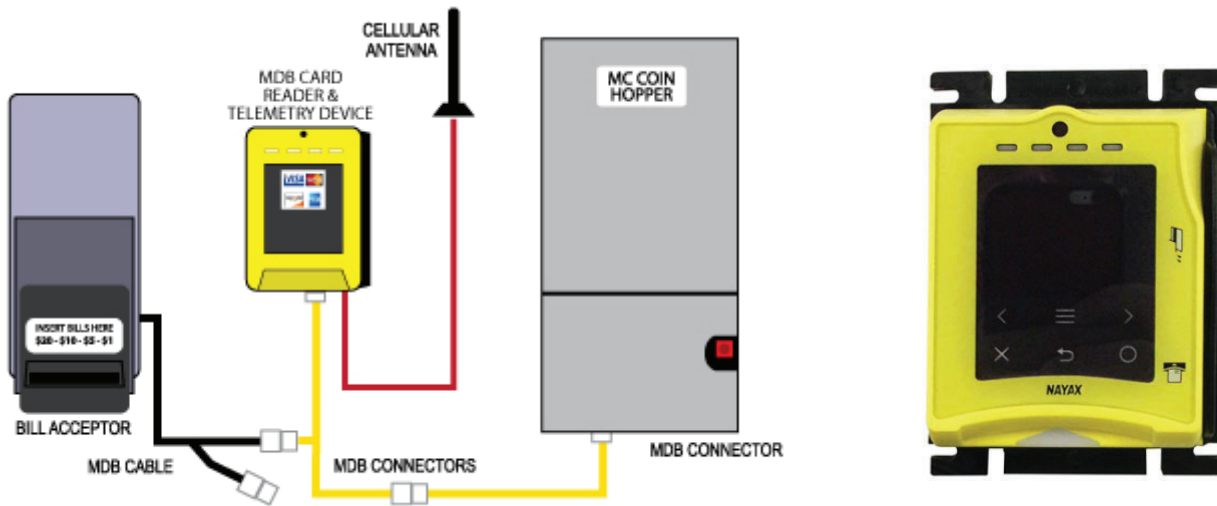
EM: info@nayax.com

www.nayax.com

Nayax VPOS series is the only product certified for EMV (Chip Card processing)

Nayax VPOS Touch

(COMPATIBLE with 5G NETWORKS)



Connections

Shown with cellular connection but also supports Ethernet (requires adapter C140001) and internet router. Can do EMV/Chip/tap and swipe technology. Power lost and power return text and email can be sent.

NAYAX – FRONT LOAD KIT: Part #4K01426-FI

NAYAX – REAR LOAD KIT: Part #4K01463-FI

NAYAX – GXP KIT: Part #4K01346-FI

MANUFACTURER CONTACT INFORMATION:

VPOS Touch Reader

Nayax USA
Executive Plaza 1
11350 McCormick Road
Hunt Valley, MD 21301
PH: 410-666-3800
EM: info@nayax.com
www.nayax.com

Nayax VPOS series is the only product certified for EMV (Chip Card processing)

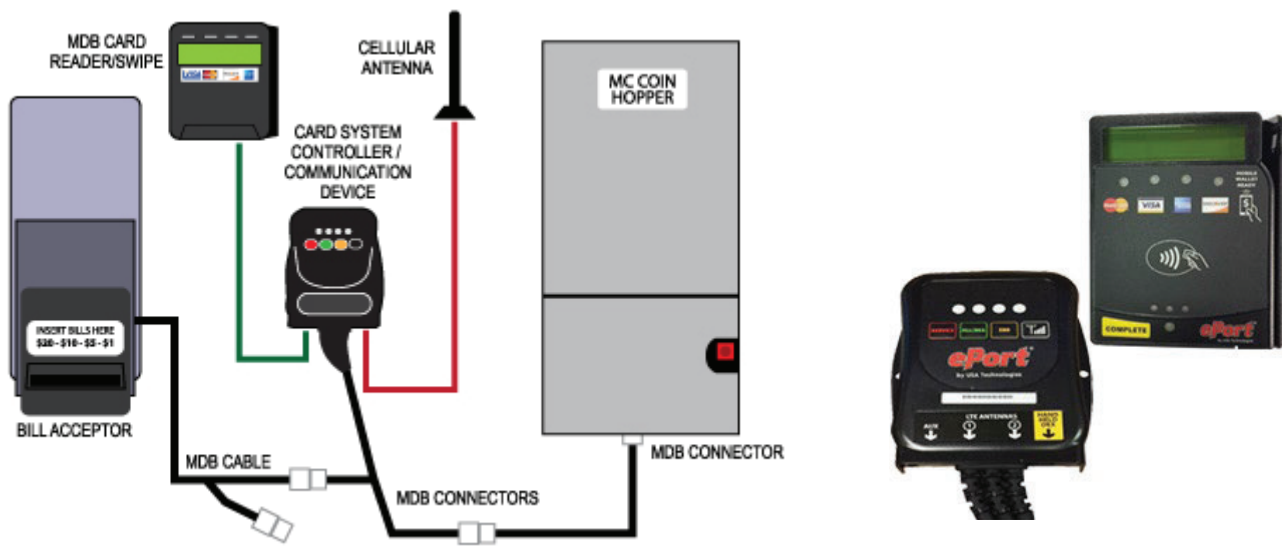
IMPORTANT NOTE: When purchasing this unit, request the Nayax Tech Support & CSR:

“Compare and Match settings to our unit #558666 and adjust the max value to \$10-\$20 over owner’s max value.”

This is the set-up for Standard Change-Makers products!

You may have to modify the opening when you remove the Magtek Card Reader on Rear Load machines to accommodate the different cable connection locations on the VPOS Touch Reader – by widening the “T” shape from the top corners to the bottom -- to make a bigger “V” shape

USA Technologies/Cantaloupe ePort



Connections

Only comes with a cellular connection. Typically MDB due to its use in vending machines.

EPORT – FRONT LOAD KIT: Part #4K01426-FI

EPORT – REAR LOAD KIT: Part #4K01463-FI

EPORT – GXP KIT: Part #4K01346-FI

MANUFACTURER CONTACT INFORMATION:

ePort Series Reader (cellular)

100 Deerfield Lane, Suite 300

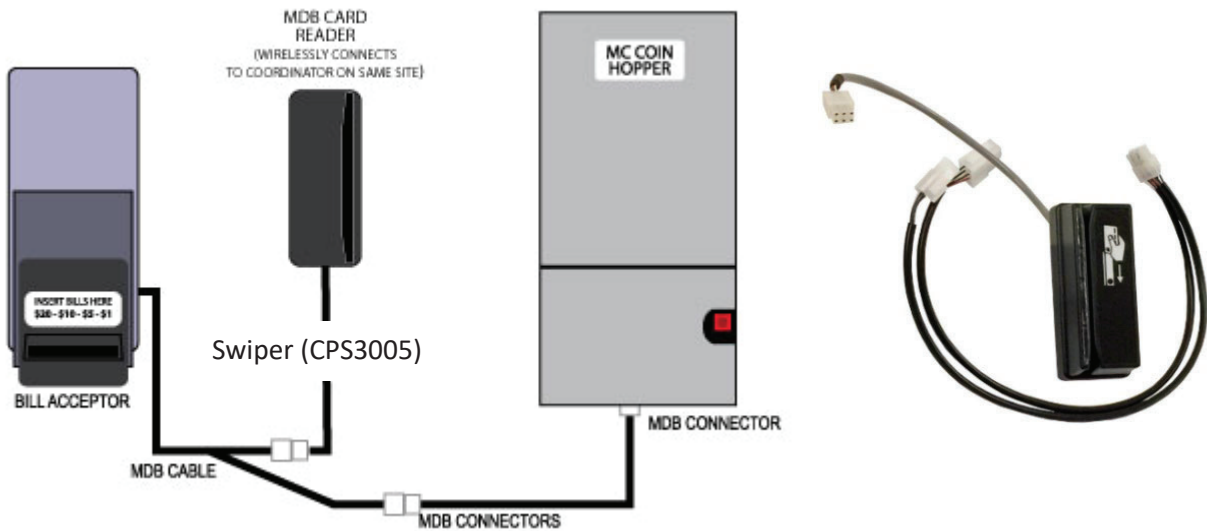
Malvern, PA 19355

PH: 610-989-0344

EM: sales@usatech.com

www.usatech.com

Cryptopay Swipe



Connections

CRYPTOPAY – FRONT LOAD KIT: Part #4K01429-FI

CRYPTOPAY – REAR LOAD KIT: Part #4K01430-FI

CRYPTOPAY – GXP KIT: Part #4K01464-FI

MANUFACTURER CONTACT INFORMATION:

CryptoPay MDB Swipe & Coordinator (wireless)

CryptoPay #SWIPER-MDB-LEVEL 2

CryptoPay Inc.

Genesys Technologies

3260 E. Woodman Road, Suite 110

Colorado Springs, CO 80920

PH: 719-277-7400

EM: sales@getcrypto.com

www.getcrypto.com

A CryptoPay Coordinator (CPS3000) is required on-site to receive the wireless signal from the card swipe

For EF+ and ARM GXP Menus: Under CARD SYSTEM TYPE, an option has been added for “MDB (ONLY)”. This allows the system to report email alerts about its status. On older systems, leave Card System set to “NONE”. The Card system will then show up in the Configuration report as a CARD READER – X MDB indicating the hopper it is plugged into – if we are able to talk to the device.

Note: The card system reporting provided by the credit card processor if available, will reflect card processing only. No information from the bill acceptor, coin acceptor, or machine in general will be added to this report. Machine audits and alerts are available throughout the EF+ Module when properly connected to your high-speed network.

INSTALLATION INFORMATION:

1) RETROFIT OF EXISTING MAGTEK CREDIT CARD READER AND DATACAP MODEM DEVICE

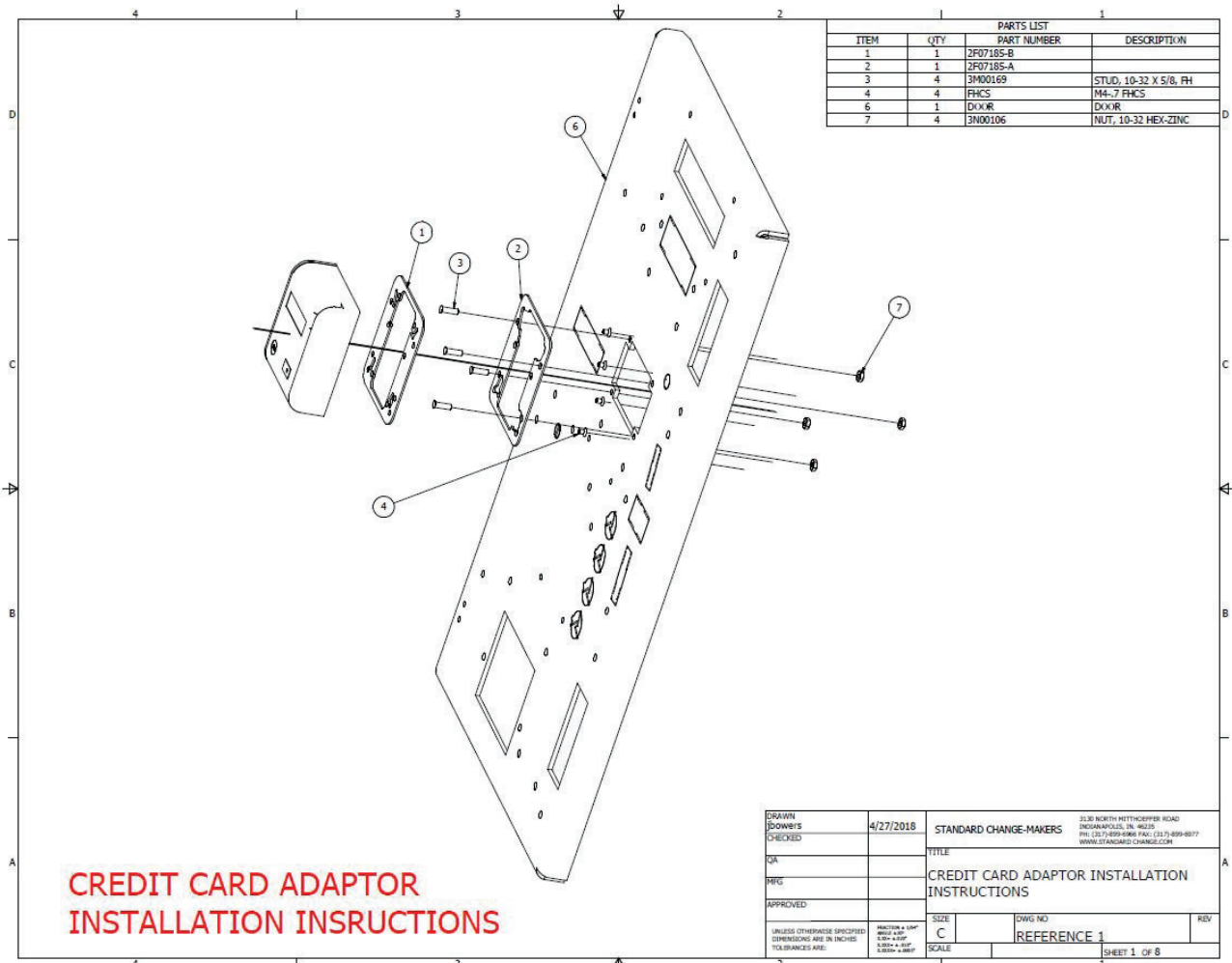
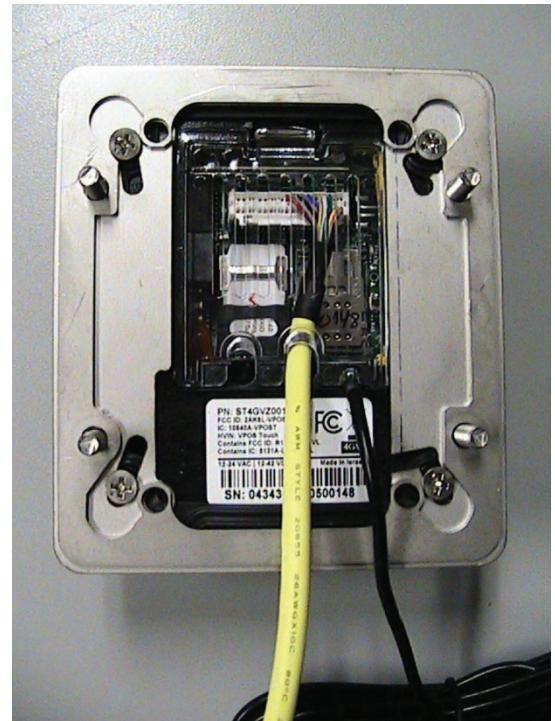
You will need to order your preferred third-party credit card system directly from the manufacturer by contacting them directly. You will need to advise them that you need: (a) **MDB version kit**, and (b) **will be installing in a Standard Change-Makers** token dispensing change machine.

You will also be required to order a Reader/Swipe Mounting Kit. This kit consists of stainless steel plates and hardware, that allow you to mount the reader to an external plate, route any cables, and attach onto the outside of the machine in the same place as the old mag stripe card reader opening; and secure the mounting plates inside the machine.

In addition to the appropriate Mounting Kit, the machine owner may be required to drill a hole in the cabinet to allow the mounting of the high gain, magnetic antenna outside of the cabinet. This will be very important for devices that will work via cellular service rather than an Ethernet connection to a high-speed internet router/modem.

If the Third-Party Card System has a separate Controller/Communication device, the device should be mounted inside the cabinet. The **Nayax AMIT** device has magnets that allow you to locate it anywhere you can find available space. The **USA Technologies G-10 Controller** may require an open PEM stud to secure it, or you may use double-sided tape or Velcro to secure it inside the cabinet. The **CryptoPay** system is self-contained, and the card swipe wirelessly communicates to a centrally located CryptoPay Coordinator that is on-site. The **Nayax VPOS Touch** card reader is also self-contained and does not have a separate controller.

1. The Nayax should be lying face down. Connect the yellow (MDB) and black (antenna) cables before you attach the metal plates.
2. The cables connect under a clear plastic cover. The metal plates then go over this.
3. The second plate (item 2) is only used as a spacer for the four flat head screws (item 4). Reference above drawing 4K01426.



Rear Load mount (4K01463)

| PARTS LIST | | | |
|------------|-----|-------------|------------------------------------|
| ITEM | QTY | PART NUMBER | DESCRIPTION |
| 1 | 1 | 2F07256 | SPACER PLATE FOR RL CC ADAPTOR KIT |
| 2 | 1 | 2F04805 | PLATE, BACK, IN1 CC, MC500-RL |
| 3 | 4 | 3B00355 | M4X.7-6MM LONG FHCS |
| 4 | 3 | 3M00375 | STUD, 1/4-20X7/8, SS, FHS |
| 5 | 1 | 2F04806 | PLATE, INSIDE, IN1 CC, MC500-RL |
| 6 | 3 | 3N00116 | NUT, 1/4-20 HEX NYL. INST. LKN |

Item 2 mounted directly to MDB card reader

Item 5 Inside cabinet

Item 1 outside cabinet

View from inside the cabinet

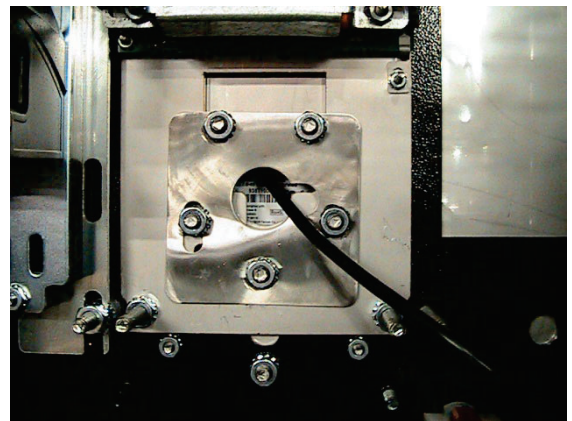
3 studs come with outside plate item 2

2 Studs will be here from the original card reader

| | | |
|----------|-----------|---------------------------------------|
| DRAWN | 7/17/2018 | STANDARD CHANGE MAKERS |
| CHECKED | | |
| QA | | |
| PTG | | CC ADAPTOR KIT ALL REAR LOAD MACHINES |
| APPROVED | | |
| SCALE | C | DWG NO 4K01463 |
| REV | A | |



Outside view



Inside view

2) NEW INSTALLATION – PURCHASE OF A NEW MACHINE

See the instructions on ordering a Third-Party MDB Card System on Page 1. Order your preferred device, and have the kit shipped to Standard Change-Makers, Inc. plant in Indianapolis. We will match it up with an order in-house and install it in your machine prior to shipment.

Have the kit shipped to:

Standard Change-Makers, Inc.
3130 N. Mitthoeffer Road
Indianapolis, IN 46235
ATTN: Sales Dept.
PH: 317-899-6966

If you want Standard Change-Makers to test the communication of your device, you will have to request a **Test Card** and have it shipped with your device (if available from the manufacturer). This TEST CARD is configured to a Test Account so that you can go online and see if the transaction properly communicated and was processed – without incurring a credit card charge.

**** IMPORTANT NOTE ** IMPORTANT NOTE ** IMPORTANT NOTE ** IMPORTANT NOTE ****

Before you put the machine in service with the Third-Party MDB Credit Card Kit, be certain to contact the manufacturer or processor, of the credit card device and ask them to confirm the Serial Numbers of the device in your machine are connected to your Merchant Account, and that they are ready for you to start processing cards.

Once you receive their approval – run a test transaction with a real credit card and check to see that it went through. You are now ready to proceed!

**** IMPORTANT NOTE ** IMPORTANT NOTE ** IMPORTANT NOTE ** IMPORTANT NOTE ****



CryptoPay Swipe



USA Tech. ePort



Nayax VPOS/AMIT



Nayax VPOS Touch

If you have questions, please contact Standard Change-Makers Service Dept.:

Standard Change-Makers
3130 N. Mitthoeffer Road
Indianapolis, IN 46235

Toll Free: 1-800-968-6955 – Phone: 1-317-899-6966 – Fax: 317-899-6977
Email: service@standardchange.com - Web Site: www.standardchange.com

APPENDIX 1 – 8M00639 Rev. 5

The GXP-BE Pay Station does not have an MDB connection on the Control Board, and in order to convert or add a Third-Party OEM Credit Card System to the GXP-BE you will need to include the following parts:

| PART NUMBER | DESCRIPTION |
|-------------|-------------|
|-------------|-------------|

| | |
|---------|--------------------------|
| 5M00368 | MC TIK/BILL RELAY MODULE |
|---------|--------------------------|

| | |
|---------|---------------------|
| 4C00263 | CABLE, MDB, MC, 72" |
|---------|---------------------|

| | |
|---------|---------------------------|
| 4C00384 | CABLE, POWER BUS, MC, 14" |
|---------|---------------------------|

| | |
|---------|--------------------------|
| 4C00385 | CABLE, COMM BUS, MC, 10" |
|---------|--------------------------|

AND (1) OF THE FOLLOWING MOUNTING BRACKET KITS:

| | |
|------------|---|
| 4K01426-FI | FRONT LOAD MTG BRKT KIT for NAYAX/ePORT |
|------------|---|

| | |
|------------|---------------------------------------|
| 4K01429-FI | FRONT LOAD MTG BRKT KIT for CRYPTOPAY |
|------------|---------------------------------------|

CONFIGURATION OF THE CONNECTIONS OF THE ABOVE COMPONENTS IN THE GXP-BE w/ CRYPTOPAY MDB LEVEL-2 SWIPE READER:

